



technical data

Indoor Units
FTX-GV1B

air conditioning systems

R-410A



technical data

Indoor Units
FTX-GV1B

air conditioning systems

R-410A

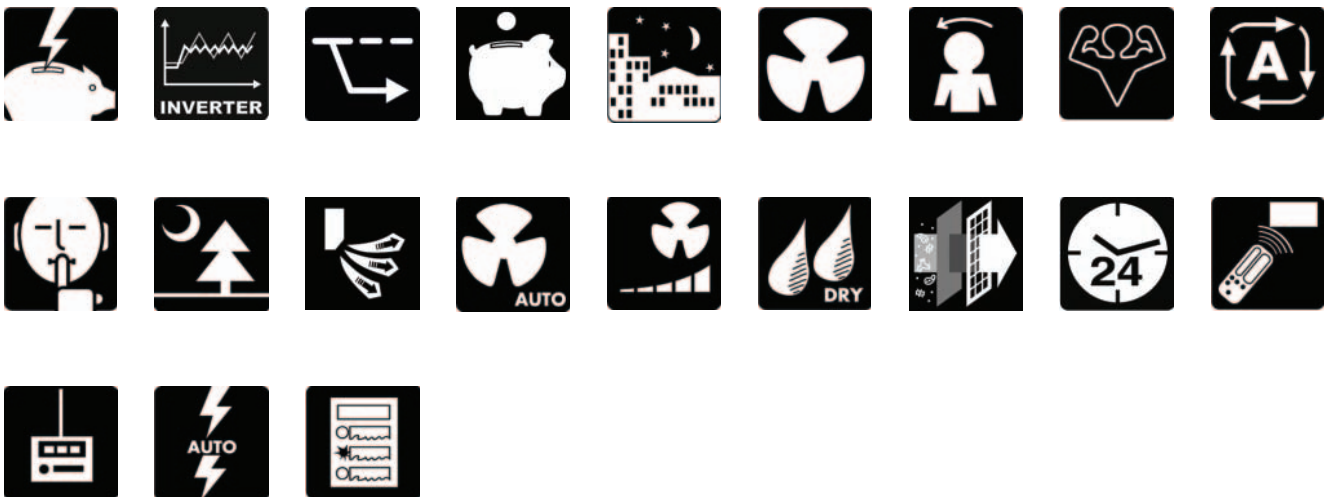
TABLE OF CONTENTS

FTX-GV1B

1	Features	2
2	Specifications	3
	Technical Specifications	3
	Technical Specifications	3
	Electrical Specifications	4
3	Dimensional drawing & centre of gravity	5
	Dimensional drawing	5
	Centre of gravity	6
4	Piping diagram	7
5	Wiring diagram	8
	Wiring diagram	8
6	Sound data	9
	Sound pressure spectrum	9

1 Features

- 3D air flow combines vertical and horizontal auto-swing to circulate a stream of warm/cool air right to the corners of even large spaces
- Indoor / outdoor unit silent operation: "Silent" buttons on the remote control lower the operation sound of the indoor and/or outdoor unit by 3dBA
- Home leave operation saves energy during absence
- Powerful mode can be selected for rapid cooling
- Titanium apatite photocatalytic air purification filter absorbs microscopic particles, decomposes odours and even deactivates bacteria and viruses
- Daikin's special dry programme reduces humidity in the room without variation in room temperature
- 24-Hour On/Off timer
- Night set mode saves energy by preventing overcooling or overheating during night time
- Auto-restart after power failure



2 Specifications

2-1 Technical Specifications				FTX50GV1B		FTX60GV1B		FTX71GV1B		
Decoration panel		Colour		White						
Air direction control				Right, Left, Horizontal, Downward						
Air filter				Removable/washable/Mildew proof						
Dimensions	Packing	Height	mm	1,147						
		Width	mm	337						
		Depth	mm	366						
	Unit	Height	mm	290						
		Width	mm	1,050						
		Depth	mm	238						
Weight	Unit		kg	12						
	Packed Unit		kg	17						
Heat Exchanger	Dimensions	Length	mm	863						
		Nr of Rows		2						
		Fin Pitch	mm	1.4						
		Nr of Stages		16						
	Passes	Quantity		4						
	Tube type		7Hi-XD							
	Fin	Type		ML fin (Multi louvre)						
Fan	Type		Cross flow fan							
Air Flow Rate	Cooling	High	m³/min	14.7	16.2	17.4				
		Nominal	m³/min	12.4	13.6	14.6				
		Low	m³/min	10.3	11.4	11.6				
		Silent Operation	m³/min	9.5	10.2	10.6				
	Heating	High	m³/min	16.1	17.4	19.7				
		Nominal	m³/min	13.9	15.1	16.9				
		Low	m³/min	11.5	12.7	14.3				
		Silent Operation	m³/min	10.2	11.4	12.7				
	Cooling	High	cfm	519	572	614				
		Nominal	cfm	438	480	516				
		Low	cfm	364	403	410				
		Silent Operation	cfm	335	360	374				
	Heating	High	cfm	568	614	696				
		Nominal	cfm	491	533	597				
		Low	cfm	406	448	505				
		Silent Operation	cfm	360	403	448				
Fan	Motor	Model		KFD-280-23-8A						
		Number of steps		5 + silent, + auto						
Motor	Speed (cooling)	High	rpm	1,240	1,330	1,410				
		Medium	rpm	1,080	1,170	1,220				
		Low	rpm	930	1,010	1,040				
		Silent Operation	rpm	860	920	950				
	Speed (heating)	High	rpm	1,270	1,360	1,520				
		Medium	rpm	1,110	1,200	1,330				
		Low	rpm	960	1,040	1,150				
		Silent Operation	rpm	870	950	1,040				
Fan	Motor	Output (high)	W	43						
Cooling	Sound Power	High	dBA	62	61	62				
		Sound Pressure	High	dBA	43	45	46			
	Sound Pressure	Nominal	dBA	33	41	42				
		Low	dBA	34	36	37				
		Silent Operation	dBA	31	33	34				
Heating	Sound Power	High	dBA	62	60	62				
		Sound Pressure	High	dBA	42	44	46			
	Sound Pressure	Nominal	dBA	38	40	42				
		Low	dBA	33	35	37				
		Silent Operation	dBA	30	32	34				
Refrigerant	Type		R-410A							

2 Specifications

2-1 Technical Specifications				FTX50GV1B	FTX60GV1B	FTX71GV1B
Piping connections	Liquid (OD)	Diameter (OD)	mm	6.35		
	Gas	Diameter (OD)	mm	12.7	12.7	15.9
	Drain	Diameter (OD)	mm	18	18	18
Power input	Cooling	Nom.	kW	0.034	0.040	0.045
	Heating	Nom.	kW	0.036	0.045	0.060
Temperature control				Microcomputer control		

2-2 Electrical Specifications				FTX50GV1B	FTX60GV1B	FTX71GV1B
Power Supply	Phase			1~		
	Frequency		Hz	50		
	Voltage		V	220-230-240		
Current	Nominal running current (RLA) - 50Hz	Cooling	A	0.16-0.15-0.15	0.19-0.21-0.19	0.21-0.20-0.19
		Heating	A	0.17-0.16-0.16	0.28-0.27-0.26	0.28-0.27-0.26
Wiring connections	For Power Supply	Quantity		3		
		Remark		4 for interunit wiring (included earth wiring)		

3 Dimensional drawing & centre of gravity

3 - 1 Dimensional drawing

FTX50-60GV

The mark (→) shows piping direction

REQUIRED SPACE

STANDARD LOCATIONS OF WALL HOLES

3D055875A

FTX71GV

The mark (→) shows piping direction

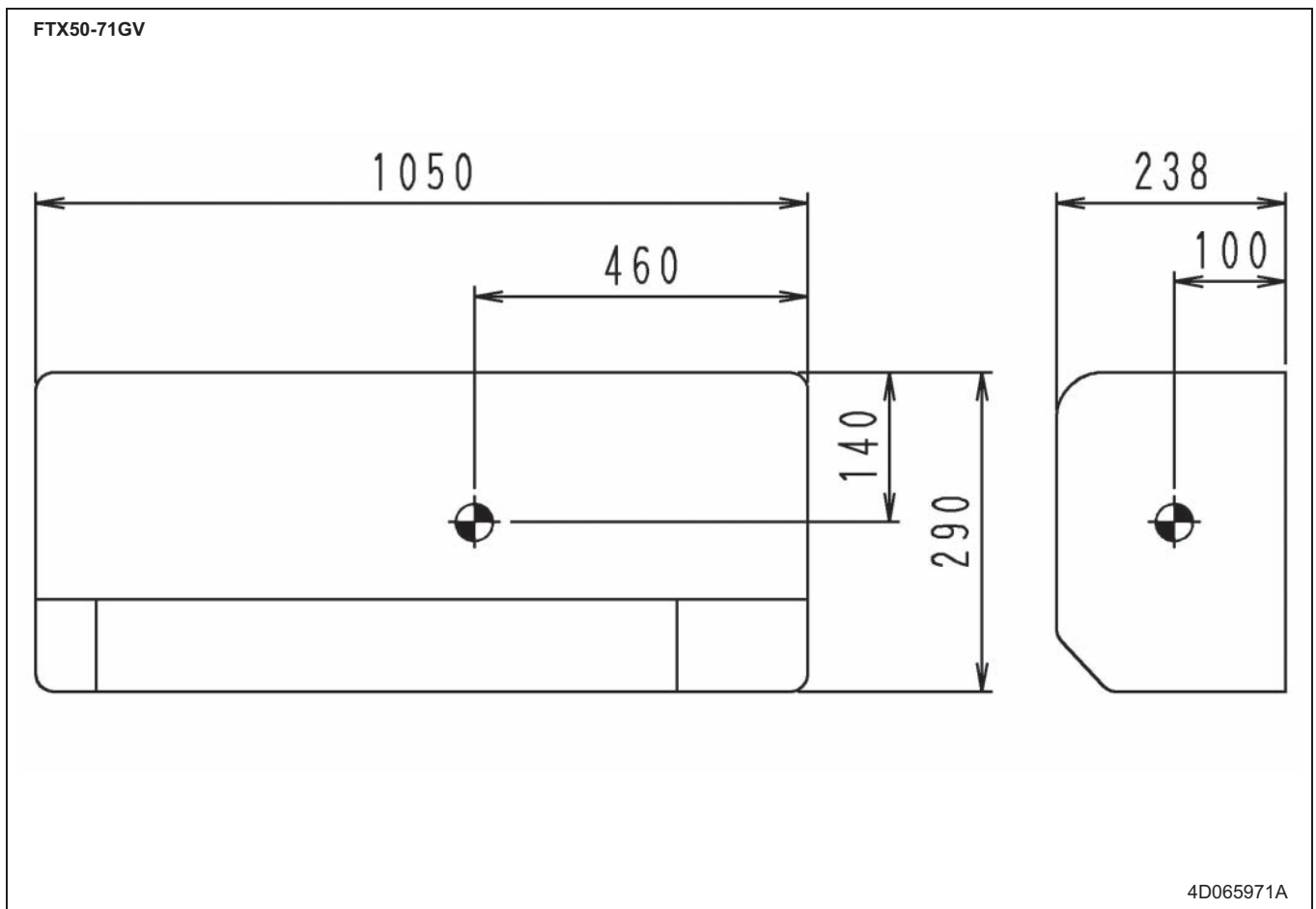
REQUIRED SPACE

STANDARD LOCATIONS OF WALL HOLES

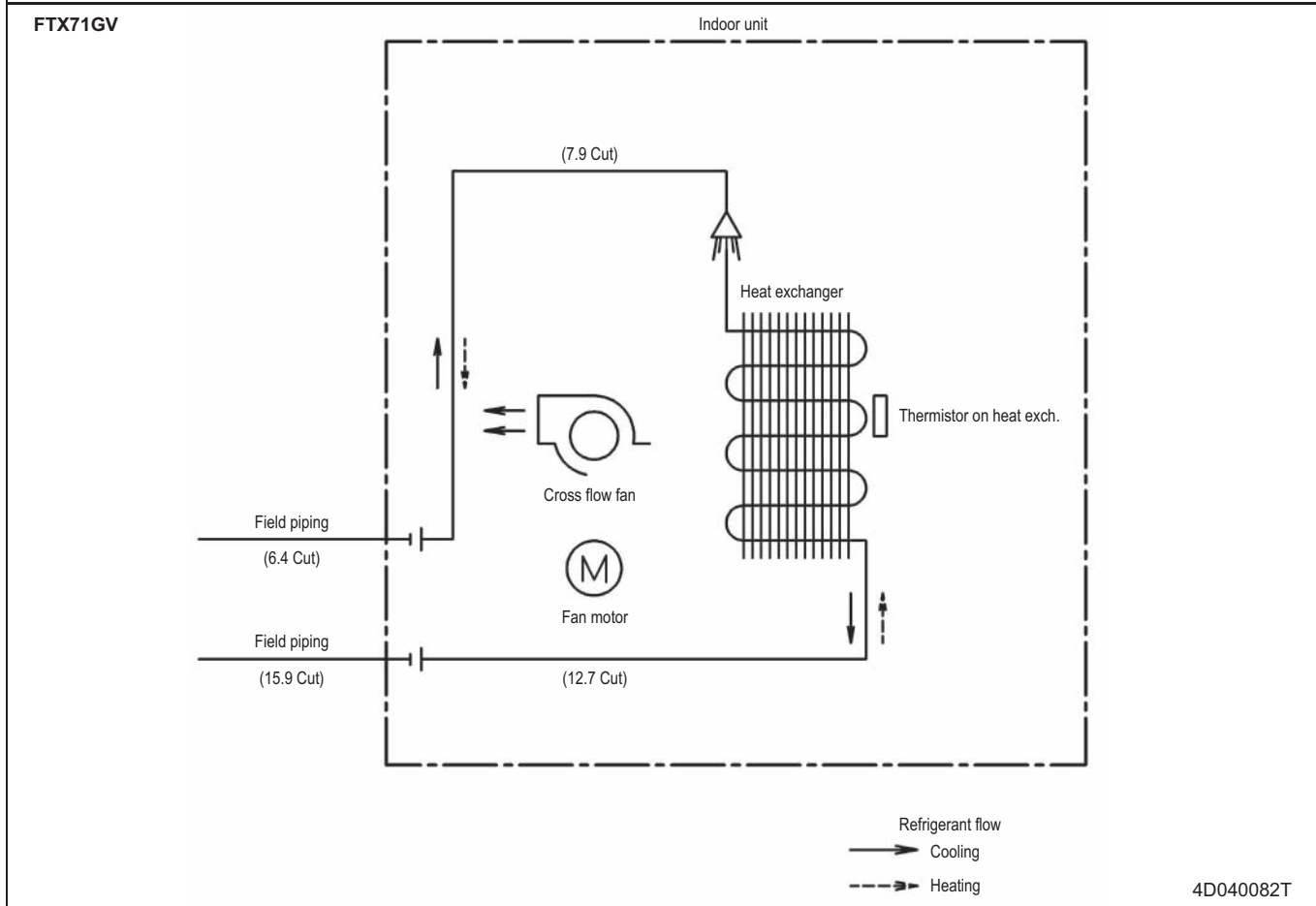
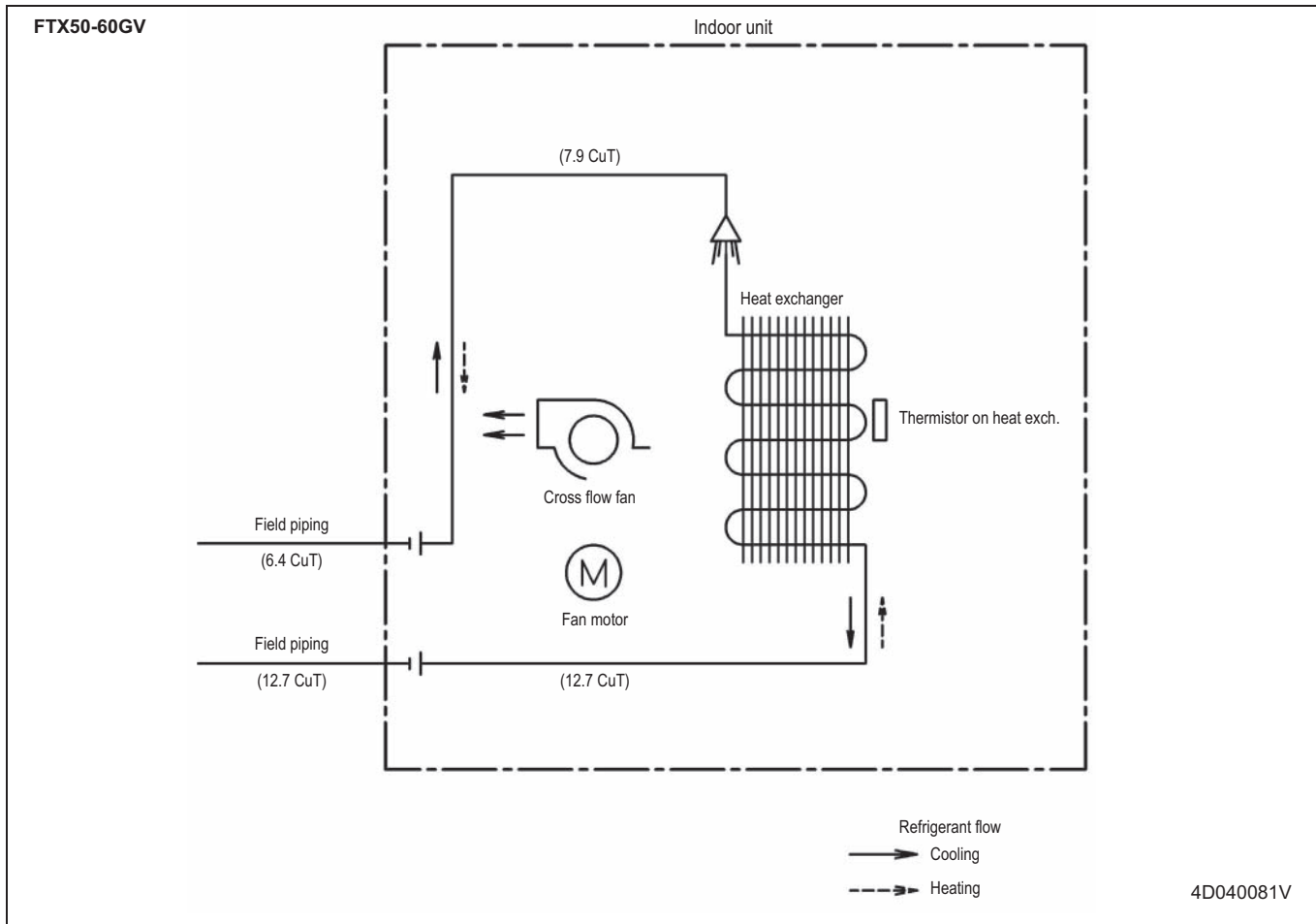
3D055876A

3 Dimensional drawing & centre of gravity

3 - 2 Centre of gravity

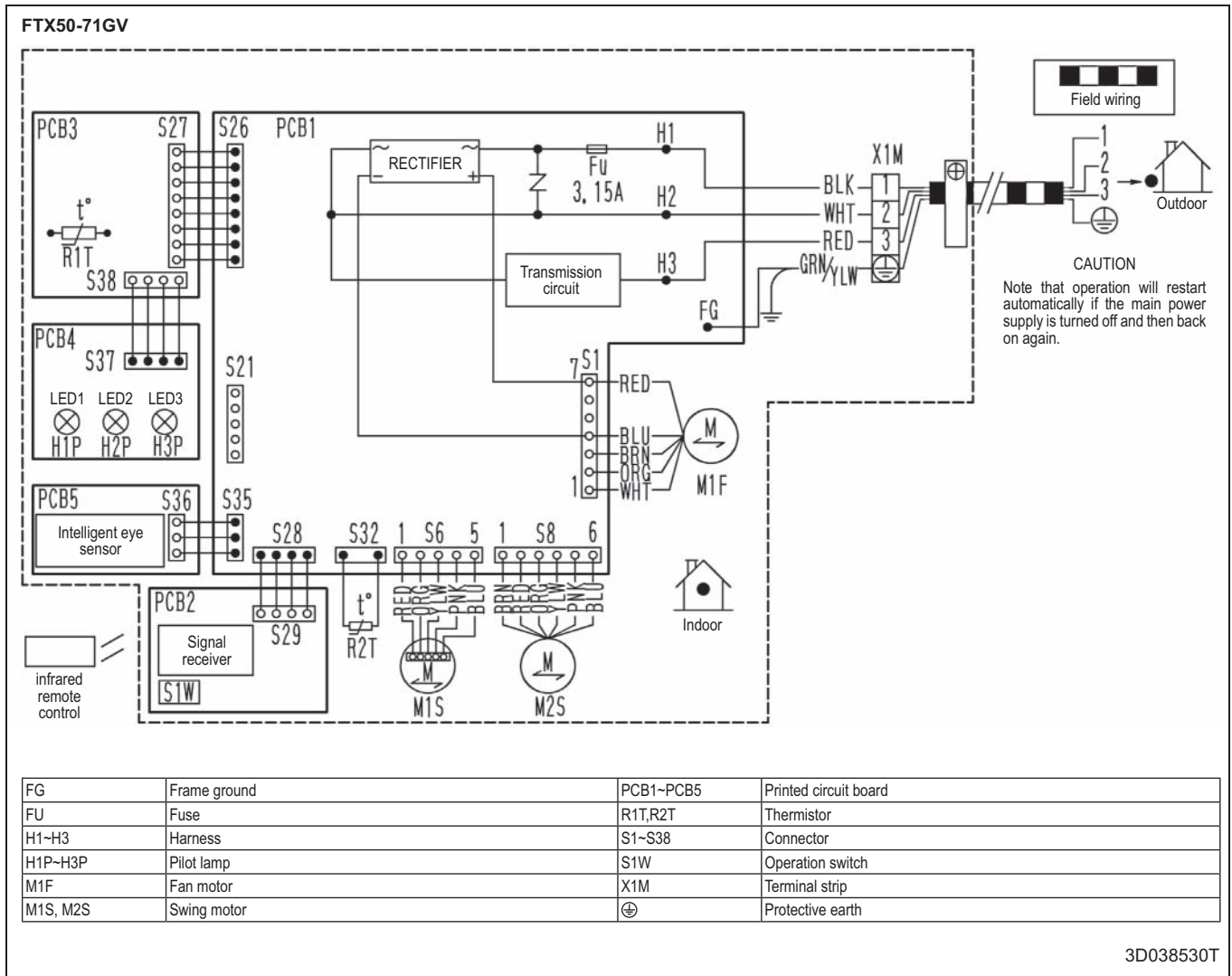


4 Piping diagram



5 Wiring diagram

5 - 1 Wiring diagram



6 Sound data

6 - 1 Sound pressure spectrum

FTX50GV

Cooling

Heating

3D050979B

NOTES

- Over All (dB): (B,G,N is already rectified)
- Measuring place: measure in anechoic room.
- Operation noise differs with operation and ambient conditions.
- Location of microphone. JISC9612
The operation noise measuring method is in accordance with JISC9612

Scale	50Hz 220-240V	
	H	L
A	43	34

NOTES

- Over All (dB): (B,G,N is already rectified)
- Measuring place: measure in anechoic room.
- Operation noise differs with operation and ambient conditions.
- Location of microphone. JISC9612
The operation noise measuring method is in accordance with JISC9612

Scale	50Hz 220-240V	
	H	L
A	42	33

3D050979B

FTX60GV

Cooling

Heating

3D051227D

NOTES

- Over All (dB): (B,G,N is already rectified)
- Measuring place: measure in anechoic room.
- Operation noise differs with operation and ambient conditions.
- Location of microphone. JISC9612
The operation noise measuring method is in accordance with JISC9612

Scale	50Hz 220-240V	
	H	L
A	45	36

NOTES

- Over All (dB): (B,G,N is already rectified)
- Measuring place: measure in anechoic room.
- Operation noise differs with operation and ambient conditions.
- Location of microphone. JISC9612
The operation noise measuring method is in accordance with JISC9612

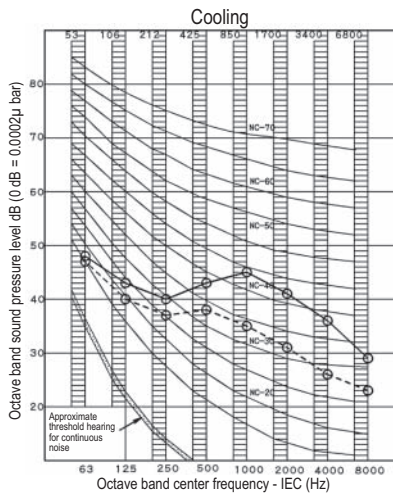
Scale	50Hz 220-240V	
	H	L
A	44	35

3D051227D

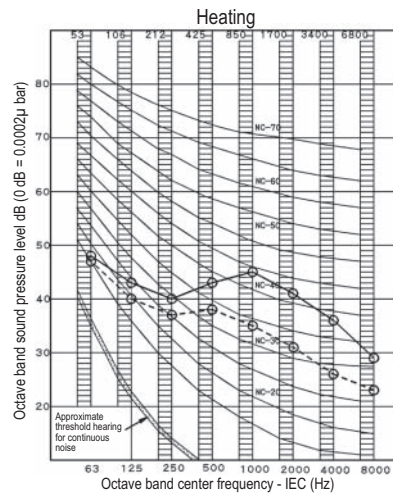
6 Sound data

6 - 1 Sound pressure spectrum

FTX71GV



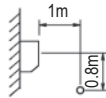
3D051225D



3D051225D

NOTES

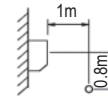
- 1 Over All (dB): (B,G,N is already rectified)
- 2 Measuring place: measure in anechoic room.
- 3 Operation noise differs with operation and ambient conditions.
- 4 Location of microphone.
JISC9612
The operation noise measuring method is in accordance with JISC9612



Scale	50Hz 220-240V	
	H	L
A	46	37

NOTES

- 1 Over All (dB): (B,G,N is already rectified)
- 2 Measuring place: measure in anechoic room.
- 3 Operation noise differs with operation and ambient conditions.
- 4 Location of microphone.
JISC9612
The operation noise measuring method is in accordance with JISC9612



Scale	50Hz 220-240V	
	H	L
A	46	37

3D051225D

In all of us,
a green heart



Daikin's unique position as a manufacturer of air conditioning equipment, compressors and refrigerants has led to its close involvement in environmental issues. For several years Daikin has had the intension to become a leader in the provision of products that have limited impact on the environment. This challenge demands the eco design and development of a wide range of products and an energy management system, resulting in energy conservation and a reduction of waste.



Daikin Europe N.V. is approved by LRQA for its Quality Management System in accordance with the ISO9001 standard. ISO9001 pertains to quality assurance regarding design, development, manufacturing as well as to services related to the product.



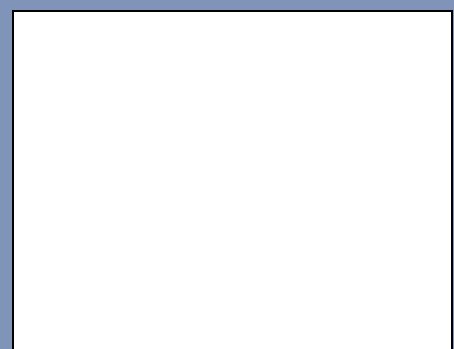
ISO14001 assures an effective environmental management system in order to help protect human health and the environment from the potential impact of our activities, products and services and to assist in maintaining and improving the quality of the environment.



Daikin units comply with the European regulations that guarantee the safety of the product.

VRV® products are not within the scope of the Eurovent certification programme.

The present publication is drawn up by way of information only and does not constitute an offer binding upon Daikin Europe N.V.. Daikin Europe N.V. has compiled the content of this publication to the best of its knowledge. No express or implied warranty is given for the completeness, accuracy, reliability or fitness for particular purpose of its content and the products and services presented therein. Specifications are subject to change without prior notice. Daikin Europe N.V. explicitly rejects any liability for any direct or indirect damage, in the broadest sense, arising from or related to the use and/or interpretation of this publication. All content is copyrighted by Daikin Europe N.V..



DAIKIN EUROPE N.V.

Naamloze Vennoetschap
Zandvoordestraat 300
B-8400 Oostende, Belgium
www.daikin.eu
BE 0412 120 336
RPR Oostende